

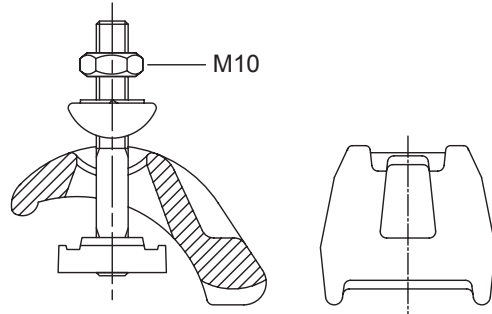


## Fixing Kit Type 6000 for Strut Channel

# Pipe Support

### Technical Features

- **Sizes:** To fit Strut Channels 21x41, 41x41
- **Material :** Carbon steel
- **Finish :** Hot Dip Ganvanized
- **Specification :** Maximum Flange Thickness 35mm.  
Includes Nut.



### Fixing Kit Type 6000

### Physical Data

Reference	Screw Size	Box Qty.	Weight (x1) (kg / lbs)
330600	M10	20	0,58 / 1.28